

PLANTER BOX WITH LATTICE

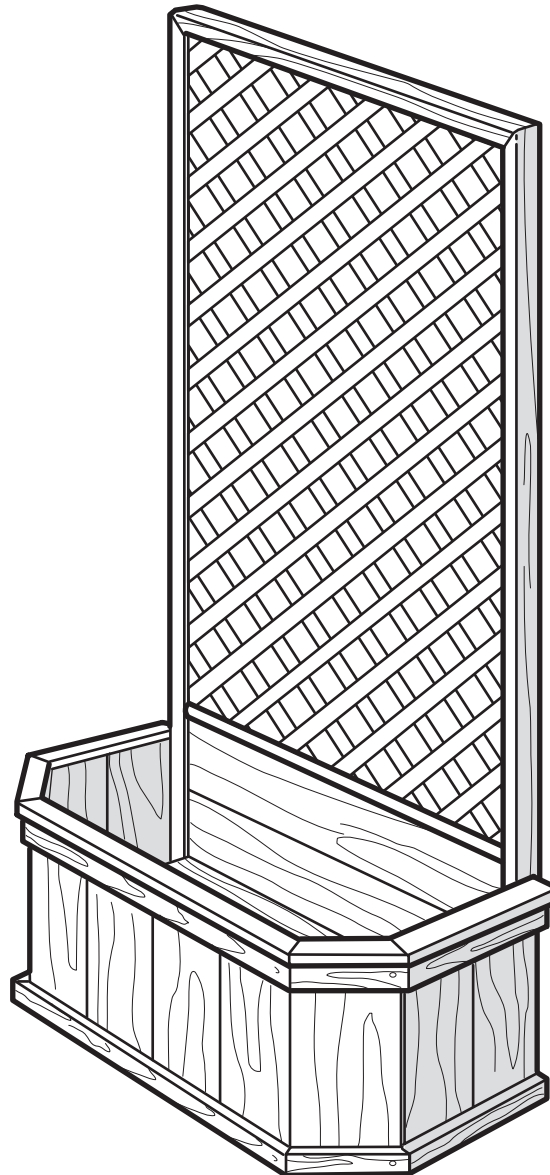
With ProWood® Professional Grade pressure-treated lumber and lattice, create a movable planter box with a lattice back to enhance your patio or deck and provide a border of privacy.

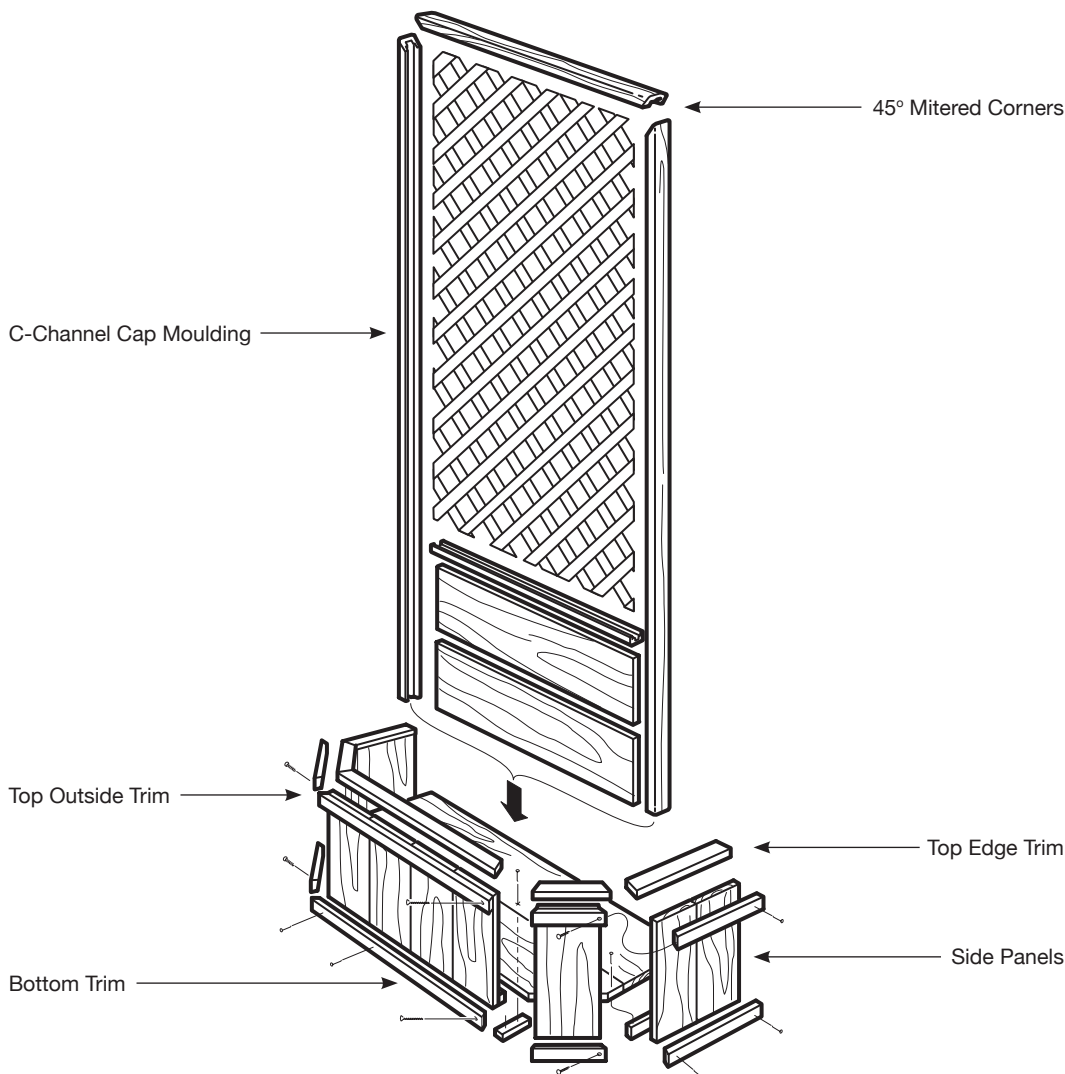
Materials

- One 1" x 6" x 8' ProWood® Pressure-Treated Lumber
- One 1" x 6" x 10' ProWood® Pressure-Treated Lumber
- One 1" x 8" x 8' ProWood® Pressure-Treated Lumber
- Two 1" x 2" x 10' ProWood® Pressure-Treated Lumber
- Three 8' ProWood® Pressure-Treated C-Channel
- One 4' x 8' ProWood® Pressure-Treated Lattice
- One Box 1-1/2" 4d Galvanized Nails
- One Box 2" #6 Galvanized All-Purpose Screws

Basic Tools

- Miter Box or Angle Square for Angle Cuts
- Circular Power Saw
- Drill and Drill Bit
- Tape Measure
- Hammer





Cut the Lumber to Size

Caution: Always wear gloves, a dust mask and eye protection when sawing, sanding or machining wood.

See illustration above to help identify the different pieces of wood you will need for the lattice planter box.

Using a circular saw, cut the boards for the planter box.

- Start by cutting the 1" x 6" x 10' ProWood® board into four 15" side panels and two 28" back pieces.
- Cut the 1" x 6" x 8' ProWood® board into six 15" side pieces.
- Cut the 1" x 8" x 8' ProWood® board into two 30" sections for the bottom of the planter box.
- Cut the 1" x 2" x 8' trim pieces into six 11-3/4" pieces, six 6-3/4" pieces, and three 23-1/2" pieces. These will form the top and bottom trim of the planter box.
- Also cut two 11" pieces, two 4-1/2" pieces, and one 22" piece of trim, all for the inside bottom of the planter.

Build the Side Panels

- Use the bottom inside trim as a cleat to hold the 1" x 6" boards together as you assemble the front and side panels of the planter box. Remember to always attach the trim so it is flush with the bottom of each side piece and centered over the width of the panel's boards (except for the two 11" pieces of trim, which should be flush with the 1" x 6" facing the back of the planter box). Also, keep in mind which side of the wood will face outward. You want to keep its "best" side visible.

Make the First Two Side Panels

- Take one of the 11" pieces of 1" x 2" and attach it to the bottom of two 1" x 6" side pieces with 4d galvanized nails. The side pieces should be held together to form a solid panel. The bottom inside trim should be flush with the outside of the side panel that will border with the back edge and should come slightly (1/4") short of flush with the other side piece.
- Repeat this process with two more side pieces and another 11" piece of 1" x 2" trim (remember to make the trim piece flush with the back of the planter box).

Make the Transition Panels

- Take a single side piece and a 4-1/4" piece of trim. Center the trim piece along the bottom edge of the side piece and attach it using 4d galvanized nails.
- Repeat this process with another side piece. The trim piece should come just short of both edges of the side piece.

Make the Front Panel

- Place the remaining three side pieces together to form the front face of the planter box.
- Attach the 22" trim piece flush with the bottom of all three side pieces, again centered to come just short of each side of the front panel.

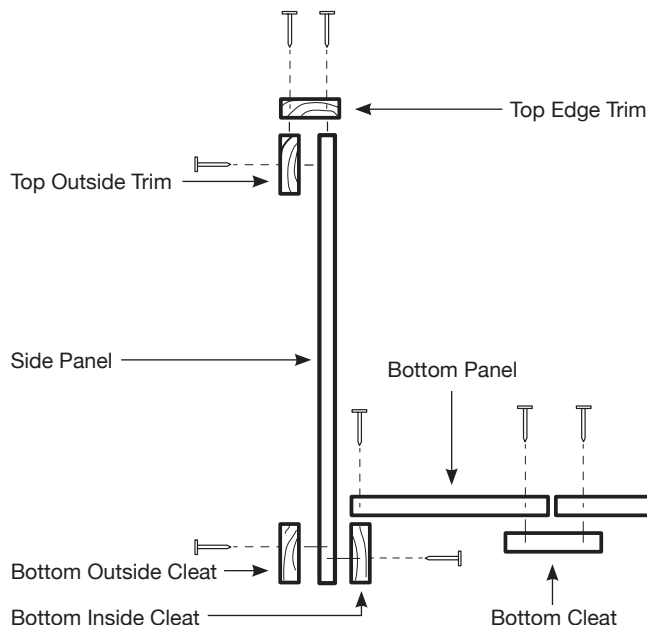
Make the Bottom of the Box

- Place the two bottom 1" x 8" pieces together side by side to form the bottom of the planter box.
- Cleat the side panels together with a scrap piece of trim.
- Using a tape measure, mark a line 4" in from the sides along the front edge on both front corners of the bottom panel.
- Mark a 45-degree angle from this mark on the front edge to the outside edges of the bottom panel.
- Cut along these 45-degree lines, removing the front corners of the bottom panel to make the angled sides of the box.

Put the Sides on the Box

- Place each of the five side panels under the bottom panel of the planter box by sliding their inside bottom trim under the bottom panel. The sides and bottom will form a 90-degree angle. The separate side panels should fit tightly around the bottom panel, leaving an opening at the back of the box.
- Attach the sides to the bottom panel by nailing through the bottom panel into the inside bottom trim and through the side panels into the edge of the bottom panel.

Refer to the illustration below.

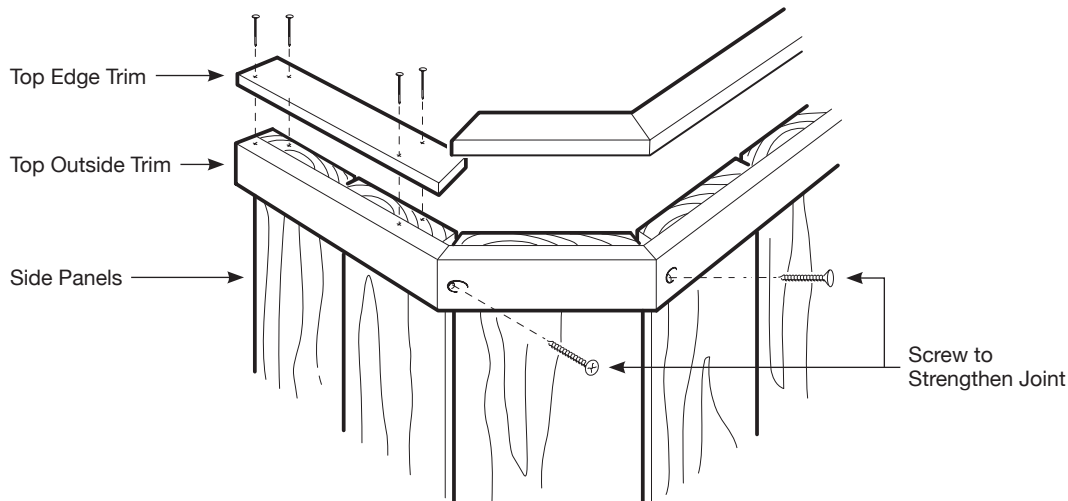


Cut Trim Angles

- All angles for the outside trim (both top and bottom) are 22.5-degree angles. Each joint is then 45 degrees.
- Use a miter box or an angle square to mark and cut 22.5-degree angles for each of the trim joints. For the trim on the outside face of the planter box (both top and bottom), the angles will cut through the 1" side of the trim piece. For the trim on the top edge (or rim) of the planter box, the angles will cut through the 2" side of the board. When both ends of a trim piece require angle cuts, make sure the angles are not parallel. Experiment by cutting angles in scrap wood first to help you get the angles right for your project.

Add the Trim

- Cut a 22.5-degree angle in the joint end (the edge that will meet the next piece of trim) of one of the 11 3/4" trim pieces. Be careful not to shorten the longest edge of the trim piece when cutting this angle.
- Attach this piece to the planter box flush to the bottom of the first side panel, with the angle cut meeting the joint between the first and second panels.
- Cut two 22.5-degree angles (one on each end) in the 6 3/4" trim pieces.
- Attach these pieces to the single board panels. This will create the first trim joint.
- Cut two 22.5-degree angles in the 23-1/2" trim piece and attach it to the front face of the planter box.
- Finish off the bottom trim using the steps for the first 11-3/4" and 6-3/4" trim pieces.
- Follow the bottom trim steps above to add the top outside trim to the planter box.



Strengthen the Joints

- After installing the top and bottom outside trim, fasten the pieces of trim together to strengthen each joint in the planter box.
- Sink 2" #6 galvanized all-purpose screws from the side of each joint running parallel with the trim piece furthest from the screw head. Pre-drilling the holes will prevent splitting the trim pieces. One screw per joint will add sufficient strength.
Refer to the illustration above.

Attach the Top Edge Trim

- You should have five pieces of 1" x 2" trim left for the top edge trim. This trim covers the top edge of the side panels and the top of the outside trim you just finished. Each of the joints for this trim is also 22.5-degree, but you will have to cut the angles differently. They must be cut through the 2" side of the piece so that they curve to the side as the top ridge of the planter box curves. Keeping in mind the difference in the way the angle is cut, you can follow the instructions for the top and bottom outside trim given above.
Refer to the illustration above.

Build the Lattice Screen

- To build the lattice screen and back panel of the planter, you will need to cut two of the 8' C-Channel pieces to 70".
- Cut the tops of these C-Channels at 45-degree angles.
- Now cut a 27-1/4" section of C-Channel from your third piece (leaving these ends square).

- Lay the two 1" x 6" x 28" back pieces and the 27-1/4" piece of C-Channel between the 70" pieces to form the back wall of the planter box. The 1" x 6" pieces will fit inside the C-Channels of the 70" pieces while the 27-1/4" piece will meet them flush with the channel facing away from the 1" x 6" (the lattice screen will fit in this channel).
- Attach the 70" pieces to the 1" x 6" boards and the C-Channel using 2" #6 galvanized all-purpose screws from the outside.
- Cut the 4' x 8' sheet of ProWood® pressure-treated lattice to fit inside the side C-Channels.
- Cut a 30" piece of C-Channel for the top of the lattice frame.
- Insert and attach the top C-Channel cross piece using one 2" #6 galvanized all-purpose screw in each joint.

Finish the Back Panel

- Slide the back panel between the side walls of the planter box until it sits on the bottom panel.
- Fasten the back panel to the side panels using 2" #6 galvanized all-purpose screws placed through the side panels into the side of the back panel.
- To add strength to the back panel, you should also screw it to the bottom panel from underneath the planter box. Pre-drilling the holes will prevent splitting.

Add a False Bottom

- Before putting in potted plants, you will want to add a false bottom and adjust it to the appropriate height.

Safe Handling - Pressure treated with micronized copper azole. Never burn treated wood. Always wear a dust mask and goggles when cutting or sanding treated wood. Always wear gloves when working with treated wood. For detailed safe handling instructions go to ProWoodLumber.com/safehandling. 7094 11/12

