



ProWood® Project Plan

OUTDOOR STOOL

With ProWood® Professional Grade pressure-treated wood, you can easily build this sturdy stool and complement your outdoor deck, patio or yard furniture and expand your living enjoyment. Although this project plan includes dimensions and instructions for building one stool, build a set of two or more for casual seating or informal dining.

Materials

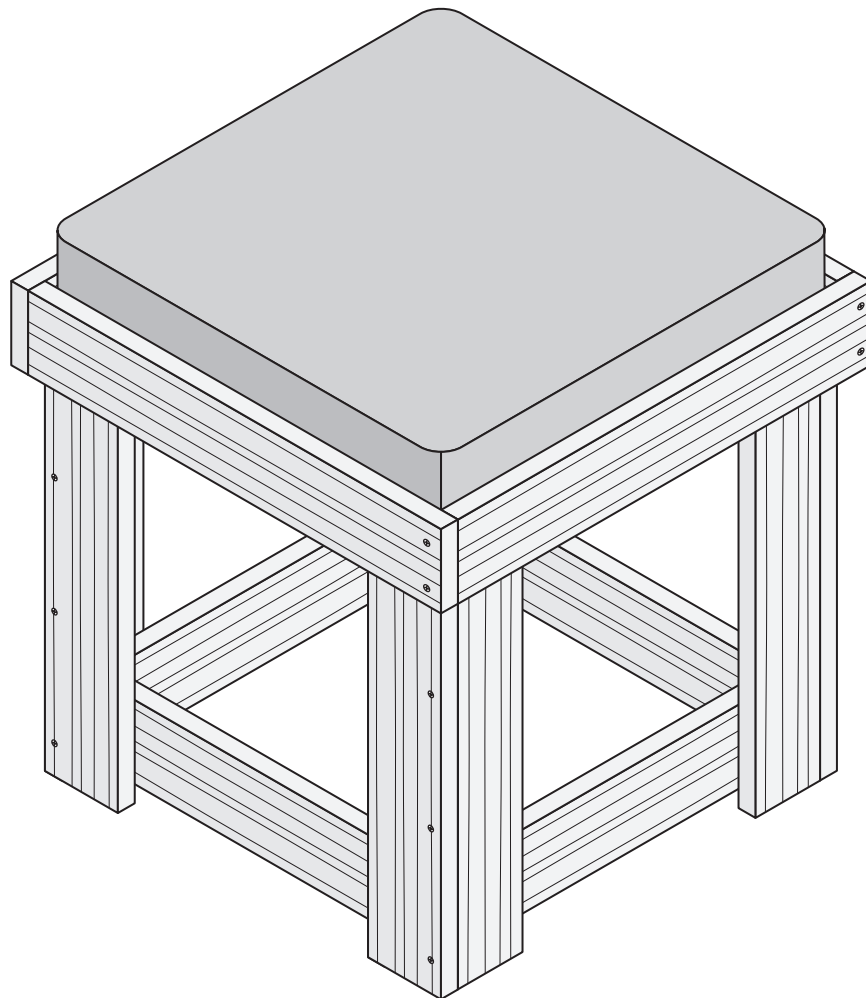
- Three 1" x 4" x 8' ProWood® pressure-treated boards
- One 1" x 3" x 8' ProWood® pressure-treated board
- One 1/2" x 2' x 4' pressure-treated plywood
- One box of 2" #8 galvanized all-purpose screws
- One box of 1-1/4" #6 galvanized all-purpose screws
- Exterior wood glue
- 19" x 19" outdoor seat pad or cushion

Basic Tools

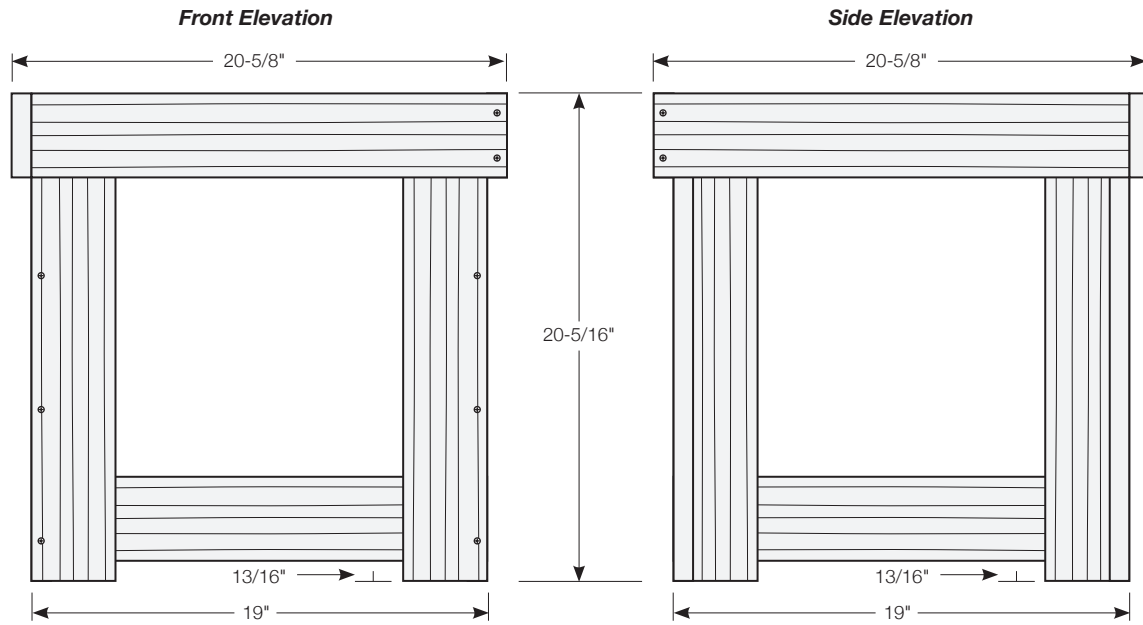
- Table saw or circular saw and straightedge
- Drill and 3/32" drill bit
- Countersink bit
- Screwdriver (or power drill with screwdriving bit)
- Tape measure
- Carpenter's square
- Parallel or bar clamps

Optional:

- Putty knife
- Assorted sandpaper (course, medium and fine grit)
- Quality exterior primer and paint or stain and sealer
- Paint or stain brush



If your wood project touches the ground, use pressure-treated lumber that is rated for ground contact to ensure long-term performance.



Components

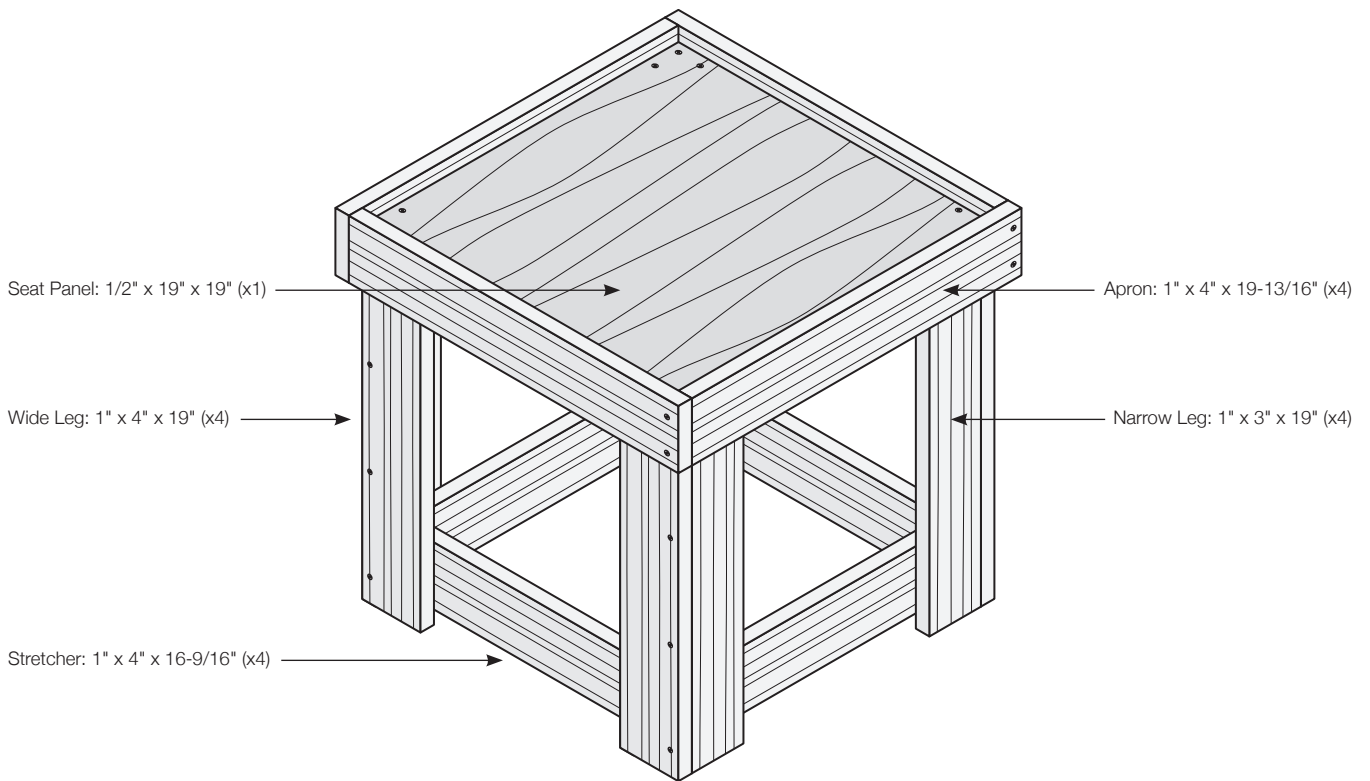


Fig. 1

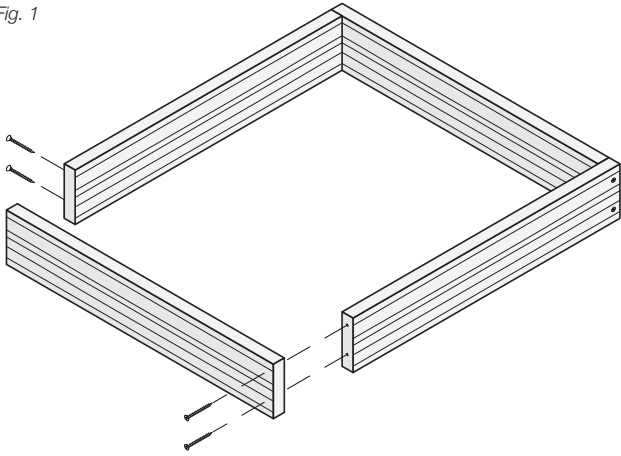


Fig. 2

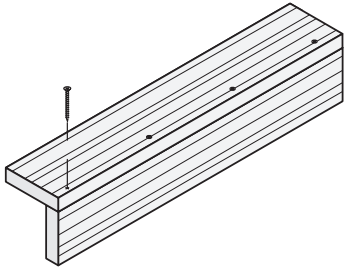
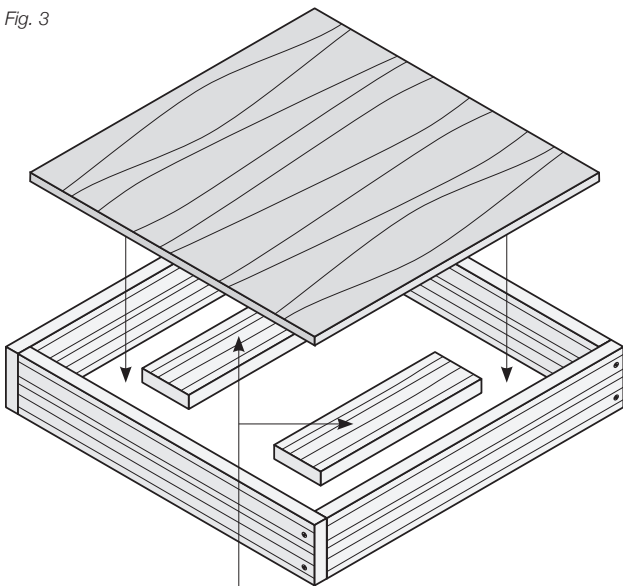


Fig. 3



Scrap Wood Blocks:
1" x 3" (x2-4)

Fig. 4

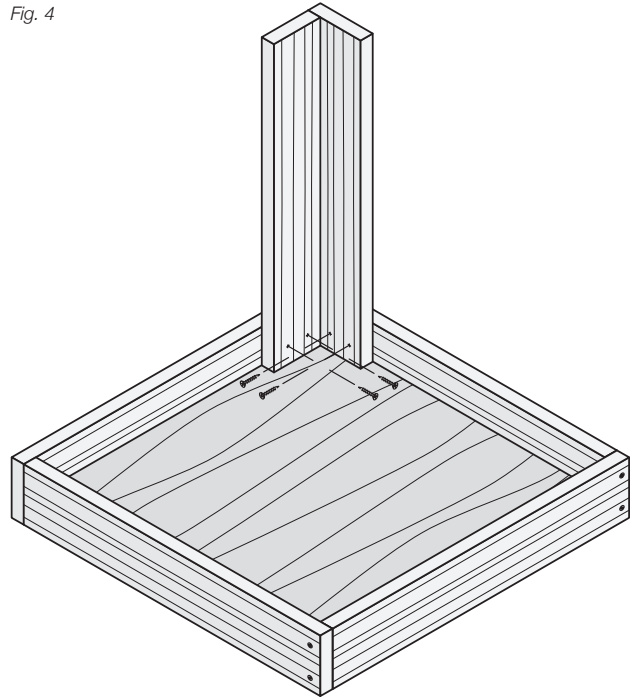


Fig. 5

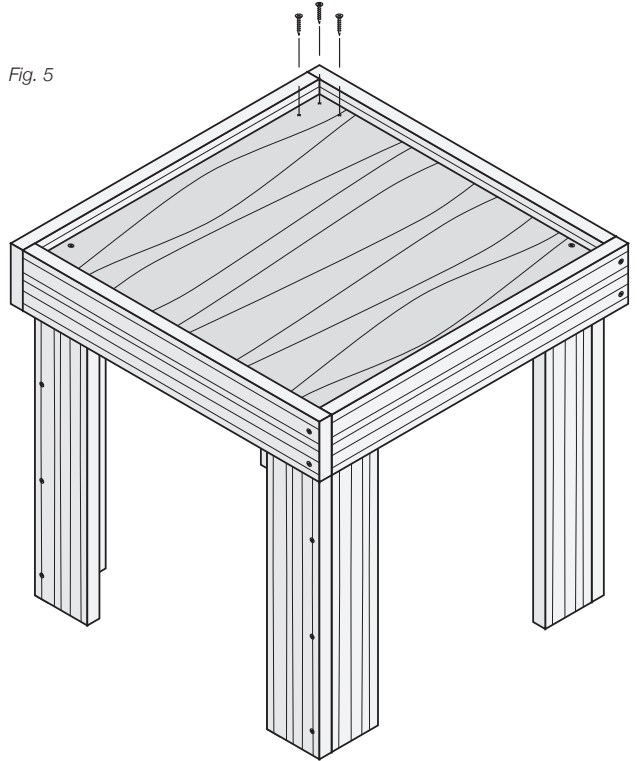


Fig. 6

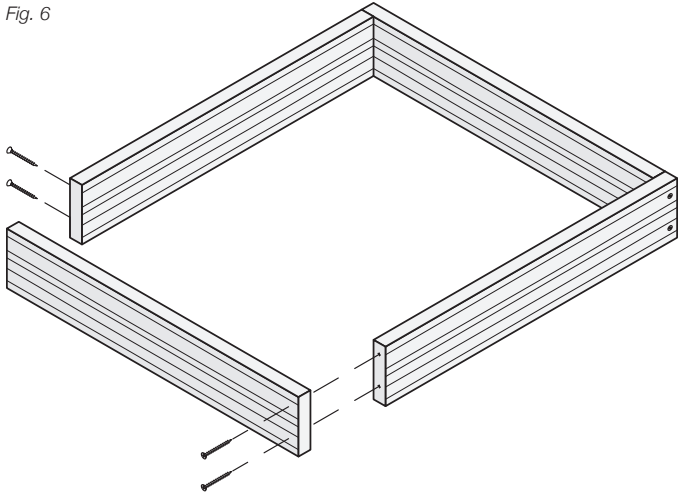
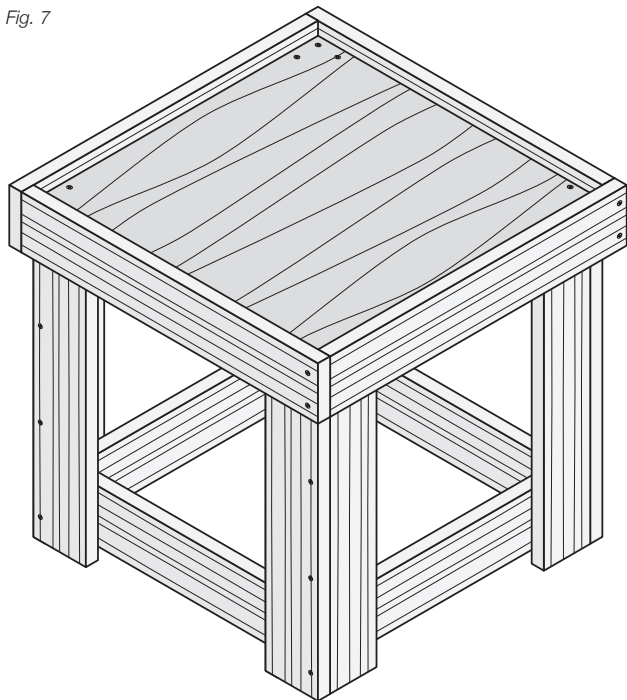


Fig. 7



Cut Lumber to Size

Caution: Always wear gloves, a dust mask and eye protection when sawing, sanding or machining wood.

Using a table saw or a circular saw with a straightedge on a clean, flat, level surface, and referring to the illustrations on page two, cut the wood for the components of the outdoor stool as follows.

From one 1" x 4" x 8' board:

(4) Apron at 1" x 4" x 19-13/16"

From one 1" x 4" x 8' board:

(4) Wide Legs at 1" x 4" x 19"

From one 1" x 3" x 8' board:

(4) Narrow Legs at 1" x 3" x 19"

From one 1" x 4" x 8' board:

(4) Stretchers at 1" x 4" x 16-9/16" *

From one 1/2" x 2' x 4' pressure-treated plywood:

(1) Seat Panel at 1/2" x 19" x 19" *

* Actual size determined by measuring first. See instructions.

General Assembly Advice

- Periodically use a carpenter's square to insure the integrity of the final assembled project.
- Establish a screw pattern to enhance the overall look and feel of this final assembled project.
- Apply exterior wood glue to joining-material surfaces before attaching the pieces together with screws.
- Pre-drill all screw holes to ease the insertion of screws into the wood and prevent splitting.
- Countersink all screws so the head of a countersunk screw, when screwed into the hole, will sit flush with or below the surface of the surrounding material.

Finishing Advice

After this project has been assembled, consider sanding and preserving it with either exterior paint or stain.

- Use a putty knife and apply exterior wood putty to all countersunk holes.
- When putty has dried, use coarse, medium and fine grit sandpaper to smooth and debur all surfaces.
- Wipe all surfaces clean of dust and particles.
- Apply a quality exterior stain and sealer or primer and paint.

Tip: Double-coat all exposed end grain and triple-coat the bottoms of the legs.

Assemble Apron Frame

See Fig. 1 on page 3.

Place and position the apron components in a “pinwheel” orientation (one end of an apron butted against the mating apron and the other end overlapping the end of the next mating apron).

Apply exterior wood glue and attach the components using two 2" #8 galvanized all-purpose screws for each joint.

Tip: Where the screw holes are very close to the ends of the parts—about 3/8" in this step—drill countersunk pilot holes to prevent splitting when driving the screws. When drilling the pilot holes, only drill through the face of the overlapping apron and not into the end of the mating one. The screws will drive easily into the end grain without a pilot hole and will hold more securely.

Assemble Legs

See Fig. 2 on page 3.

For easy leg assembly, apply exterior wood glue to the edge of one narrow leg. Place and position the wide leg on top of the narrow leg forming a square corner.

Attach the two components using four 2" #8 galvanized all-purpose screws.

Repeat this process for assembling three more leg components and set the four assembled legs aside.

Tip: Use a 1' x 3" scrap of wood underneath the wide leg to help in the assembly.

Position Seat Panel

See Fig. 3 on page 3.

Measure the inside dimensions of the apron frame and cut the seat panel to size, making it a close fit.

Place a couple of 1" x 4" blocks under the seat panel and slide the apron frame over the panel.

Tip: Raising the seat panel on the scrap blocks creates a uniform recess to hold the cushion in place.

Attach Leg Assemblies

See Fig. 4 on page 3.

Retrieve the leg assemblies. While the apron frame and seat panel are still upside down, apply exterior wood glue and position the first leg assembly in the inside corner of the apron frame with the end of the leg resting on the seat panel.

Attach the leg assembly to the inside of the apron frame with four 1-1/4" #8 galvanized all-purpose screws.

Repeat this process with the three remaining leg assemblies, orienting them so the wide uprights of each pair of legs face outward on opposite sides of the apron frame.

Tip: This orientation gives you a symmetrical appearance on each side of the stool. On two opposite sides, only the faces of the wide legs are visible. On the other two opposite sides, the edges of the wide legs and the faces of the narrow legs are visible.

Attach Seat Panel

See Fig. 5 on page 3.

Turn the stool right side up. Attach the seat panel to the top of the legs inside the apron frame with three 1-1/4" #6 galvanized all-purpose screws at each corner.

Assemble Stretcher Frame

The stretchers are installed in pinwheel fashion like the apron frame. To determine the actual stretcher length, hold a 1" x 4" scrap piece of wood against the inside of one leg and measure from the inside face of the opposite leg to the inside face of the scrap. Cut the stretcher components to length.

Tip: Measure the stretcher length close to the apron frame. This way, slightly splayed legs will be pulled into alignment when the stretchers are installed.

See Fig. 6 on page 4.

Place, position, glue and assemble the stretcher frame components together same as the apron frame.

Attach Stretcher Frame

See Fig. 7 on page 4.

Drill pilot holes through the stretcher frame from the inside of the stool assembly and attach the stretcher frame to the legs using two 1-1/4" #6 galvanized all-purpose screws for each individual leg.

Tip: Place 1" thick scraps of wood under the assembled stretcher frame at each corner and slide the stool assembly over the frame. Clamp the stretcher frame in place using parallel or bar clamps.

Finish Outdoor Stool

If applying an exterior paint or stain to the final assembled outdoor stool, refer to Finishing Advice located on page 4.

When the finish is completely dry, nestle a seat pad or cushion in the recessed seat area, then sit down, relax and enjoy.

Clean, odorless, nonstaining and nonirritating, ProWood MCA (micronized copper azole) treated lumber is safe for humans, animals and the environment. The process we use to treat has gained Environmentally Preferable Product (EPP) status as certified by Scientific Certification Systems (SCS), a third-party certification services and standards development company. The preservative in ProWood MCA treated lumber has earned NAHB's Green Approved Product Certification and the GREENGUARD Children & Schools Certification.



This document is for illustration purposes only. Use of this product must be in accordance with all local zoning and/or building codes. Consumer assumes all risks and liability associated with the use of this product. For details on safe handling, go to UFPI.com/ptinfo. Warrantor does not provide any warranty, either express or implied, and shall not be liable for any damages, including consequential damages. 7094 04/17