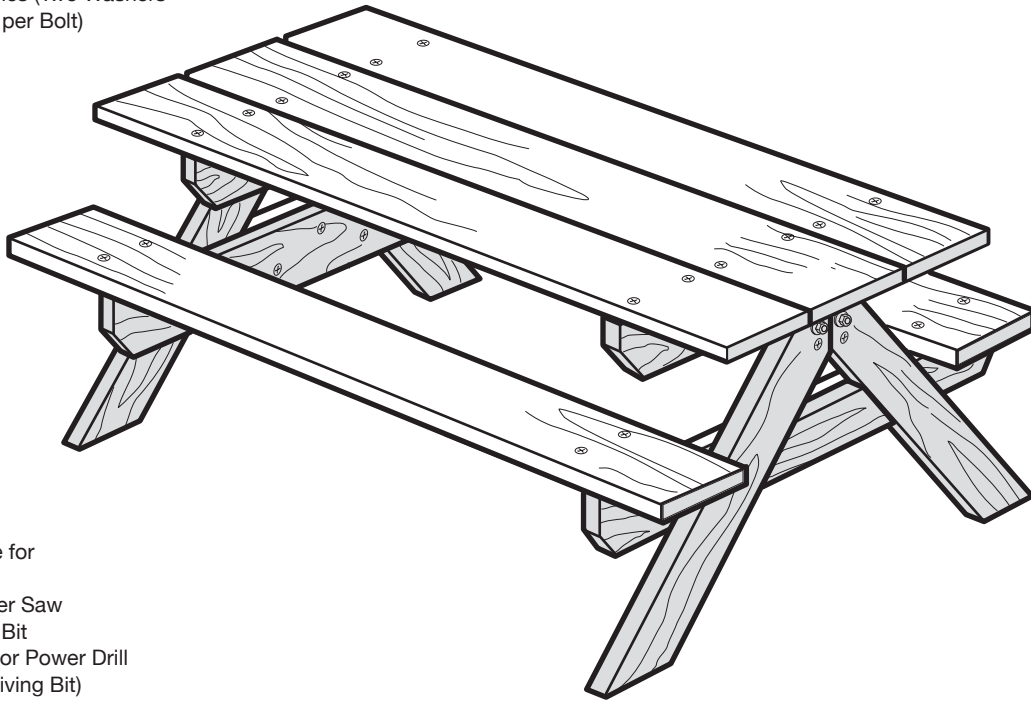


CHILD-SIZE PICNIC TABLE

With ProWood® Professional Grade pressure-treated lumber, build your child a table of their own with this child-size picnic table plan.

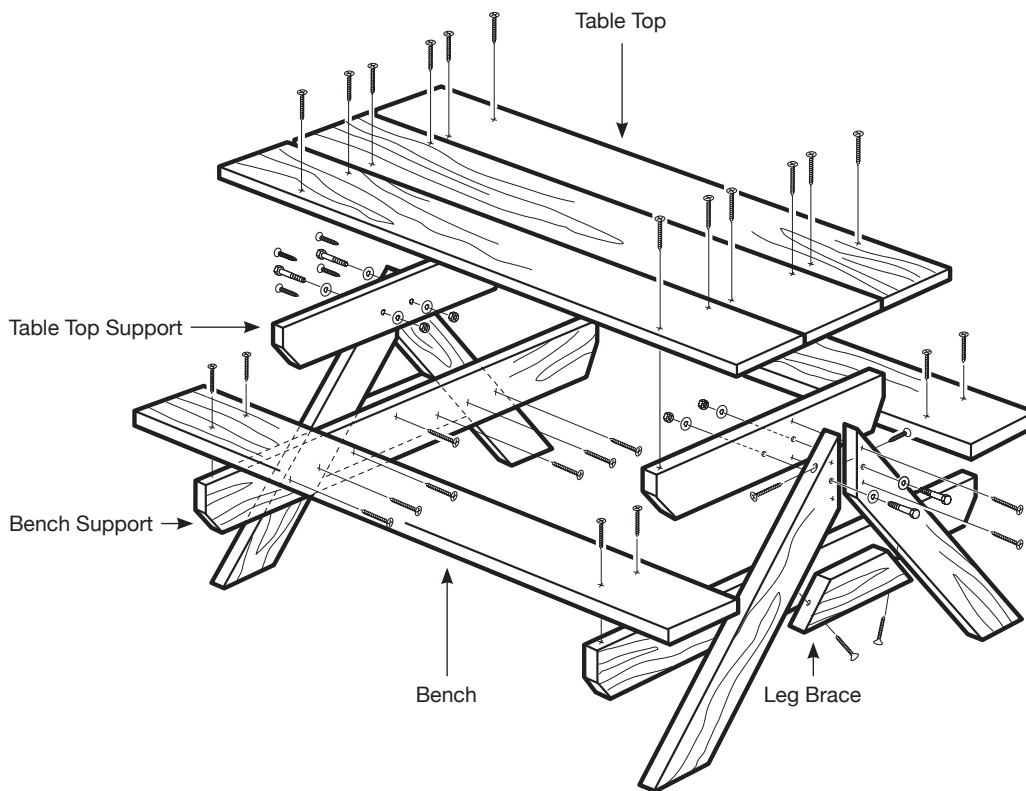
Materials

- Three 5/4" x 6" x 8' ProWood® Pressure-Treated Lumber
- Two 2" x 4" x 10' ProWood® Pressure-Treated Lumber
- One Box 2-1/2" #8 Galvanized All-Purpose Screws
- Four 1/4" x 3-1/2" Galvanized Bolt Assemblies (Two Washers and One Nut per Bolt)



Basic Tools

- Miter Box or Angle Square for Angle Cuts
- Circular Power Saw
- Drill and Drill Bit
- Screwdriver (or Power Drill with Screwdriving Bit)
- Tape Measure
- Hammer



Cut the Lumber to Size

Caution: Always wear gloves, a dust mask and eye protection when sawing, sanding or machining wood.

See the illustrations above and on the next page before cutting to make sure that you have marked the boards correctly.

Using a circular saw, cut the boards for the child-size picnic table.

- Start by cutting the 5/4" x 6" x 8' ProWood® pressure-treated boards into five 48" long pieces for the top pieces and benches of the picnic table.
- Each 2" x 4" x 10' ProWood® pressure-treated board will provide all the pieces for one of the two table leg assemblies.
- Cut each 2" x 4" x 10' ProWood® pressure-treated board into two 24" pieces for the table legs, one 34" piece for the bench support, one 13" piece to brace the table legs, and one 17" piece to support the table top.

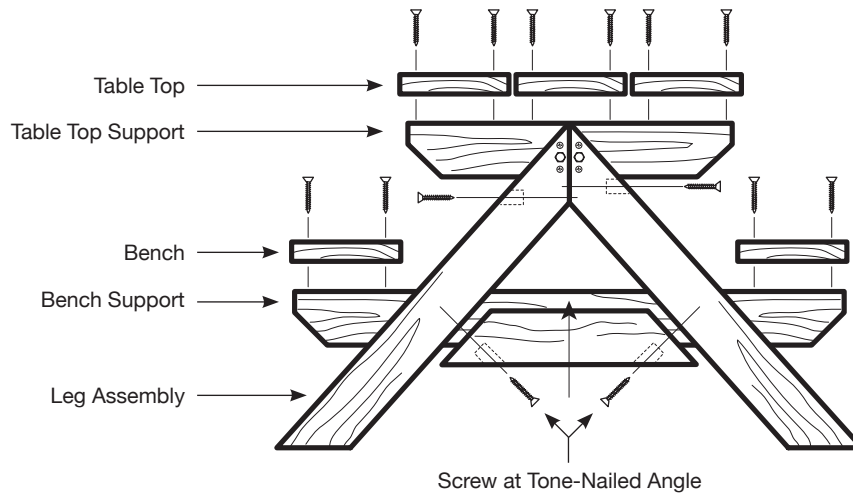
Tip: You can trim the corners of the 17" long bench support pieces by cutting them at a slight angle.

Cut the Angled Legs

- The legs and leg brace of the child-size picnic table form a triangle with 45-degree angle cuts, making 90-degree corners for the triangle. All three boards need 45-degree angles cut on both ends. The angles cut in the ends are not parallel and should not shorten the board's length (on its longest side).
- Use an angle square or miter box to mark and cut 45-degree angles in both ends of all four 2" x 4" x 24" legs and both of the 2" x 4" x 13" leg braces. Experiment by cutting 45-degree angles in scrap wood first to help you get the angles right for your project.

Build the Leg Assembly

- Place two of the 24" legs on a flat surface with one of the 45-degree cut ends of each board touching. The two legs will now make one A-shaped piece.
- You may want to try using both ends of each board to find the best fit for this joint.
Refer to the illustrations to see how the legs join underneath the table top.
- Now fasten the legs together. Use a ruler to find a spot on the outside edge of one leg 3" from the top of the new joint. Drive a 2-1/2" #8 galvanized all-purpose screw through this spot and into the other leg.
- Repeat this process on the other leg, measuring down 3-1/2" to avoid hitting the first screw.
Refer to the illustrations for where to place these screws.
- Place the 2" x 4" x 13" leg brace between the two legs so the 45-degree cut ends meet flush with the inside of each leg.
- Use 2-1/2" #8 galvanized all-purpose screws to toe-nail the leg brace in place.
- Center the bench support on the leg assembly. Measure in 6-1/2" from one edge of the 13" leg brace to mark its center.
- Measure in 17" on one bench support board and mark its center.
- Place the bench support board on the leg assembly with the center marks lined up and attach the boards using 2-1/2" #8 galvanized all-purpose screws.
- Repeat this process to build a second leg assembly.



Build the Table Top

- When building the table top, you will want to keep the best side of the 5/4" x 6" table top and bench boards facing up for the best appearance.
- To begin, lay one of the 2" x 4" x 17" table top supports on a flat surface so it rests on its 2" side.
- Measure in 8-1/2" and 10" from each end of all table top boards and mark a line at all four places on the underside of each board. These markings at 8-1/2" and 10" will let you know where to attach the table top supports to the table top boards.
- Place one of the table top boards on top of the table top support board between one pair of 8-1/2" and 10" markings, so that the boards are perpendicular and the side of the table top board is flush with the end of the table top support.
- Attach the two boards using two 2-1/2" #8 galvanized all-purpose screws.
- Take the second table top support board and place it on its 2" side underneath the other end of the first table top board. Again, use the 8-1/2" and 10" marks to position the support board properly. The boards should be perpendicular and the edge of the table top board should be made flush with the end of the support board.
- Refer to the illustrations for help in positioning support boards.
- Attach the table top board to the second table top support board using two 2-1/2" #8 galvanized all-purpose screws.
- Lay a second table top board across the table top support boards, using the marks at 8-1/2" and 10" as a guide. Position the board perpendicular to the table top support boards—and flush with the opposite ends of the table top support boards—leaving a space in the middle for the remaining table top board.
- Attach the table top board to each table top support using 2-1/2" #8 galvanized all-purpose screws.
- Take the remaining table top board and place it on top of the table top support boards, again using the marks at 8-1/2" and 10" as a guide.
- Carefully center the board between the two outside boards with an even space on both sides.
- Attach this board to each table top support using two 2-1/2" #8 galvanized all-purpose screws.

Tip: You can trim the corners of the 17" long table top support pieces by cutting them at a slight angle.

Attach the Table Top

- To attach the table top to the legs, turn the assembled table top upside down on a flat surface.
 - Measure in 8-1/2" from either outside edge on one of the 17" long table top supports to find the midpoint. Make a pencil mark.
 - Turn one of the leg assemblies upside down and position the top of the triangle to line up with the pencil mark and touch the table top.
 - Attach the leg assembly to the table top support using four 2-1/2" #8 galvanized all-purpose screws (two in each leg).
 - Drill one hole in each leg between the two screws you just inserted.
 - Insert a 1/4" x 3-1/2" galvanized bolt into each hole, add the washers, and tighten the nut.
 - Repeat this procedure with the remaining leg assembly.
- Refer to the illustrations for help in positioning and attaching the leg supports.

Build the Bench Seats

- Turn the nearly-completed picnic table upright.
 - Measure in 8-1/2" and 10" from each end of the two remaining 5/4" x 6" x 48" boards and mark a line at all four places on the underside of each board.
 - Place one of these bench boards on the two supports on one side of the picnic table between the marked lines so that the bench is flush with the edge of the two supports.
 - Attach the bench to the supports using two 2-1/2" #8 galvanized all-purpose screws at each support.
 - Repeat this procedure with the other bench.
- Refer to the illustrations for help in positioning and attaching the benches.

This brochure is for illustration purposes only. Use of this product must be in accordance with all local zoning and/or building codes. Consumer assumes all risks and liability associated with the use of this product. For details on safe handling, go to UFPI.com/ptinfo. Warrantor does not provide any warranty, either express or implied, and shall not be liable for any damages, including consequential damages. 7094 07/13