

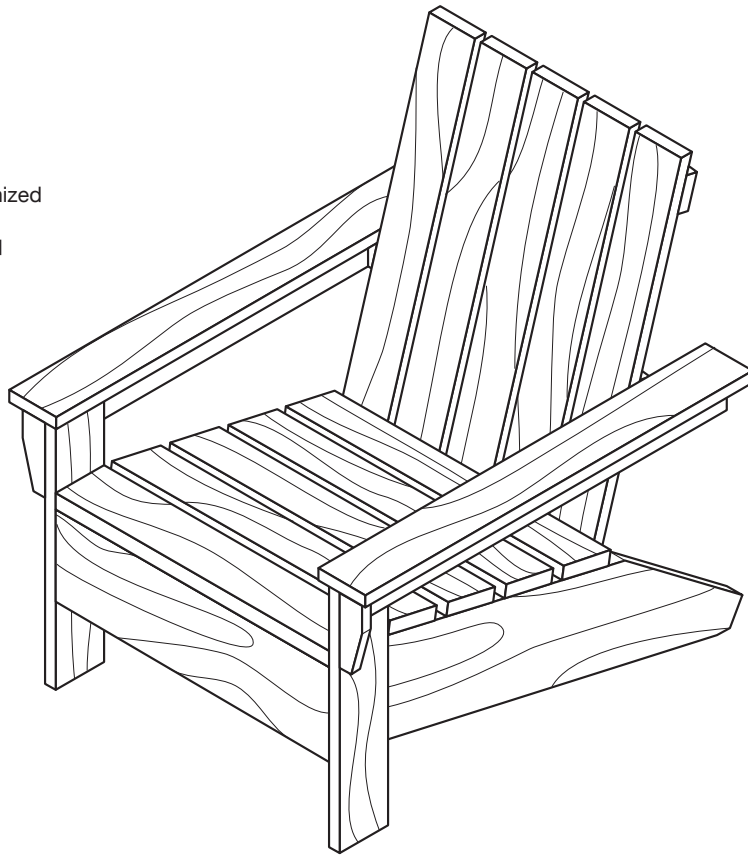
# ADIRONDACK CHAIR

---

With ProWood® Professional Grade pressure-treated lumber, you can easily build a stylish and comfortable outdoor Adirondack chair. And, because it's also affordable, you may want to build a pair.

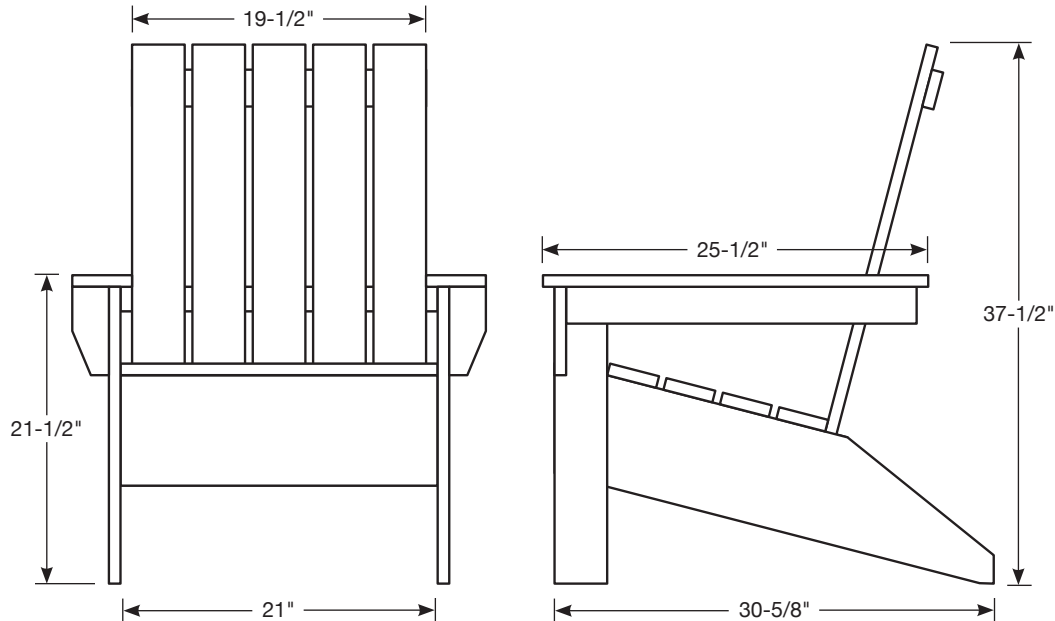
## Materials

- One 1" x 8" x 8' ProWood® Pressure-Treated Lumber
- Four 1" x 4" x 8' ProWood® Pressure-Treated Lumber
- One 2" x 2" x 8' ProWood® Pressure-Treated Lumber
- One 1" x 3" x 8' ProWood® Pressure-Treated Lumber
- One box of 1-1/4" #6 galvanized all-purpose screws
- One box of 2" #6 galvanized all-purpose screws
- Wood glue



## Basic Tools

- Circular or table saw
- Compound miter saw
- Drill and drill bit
- Countersink bit
- Screwdriver (or power drill with screwdriving bit)
- Hammer
- Tape measure
- Bubble level
- Carpenter's square
- Adjustable triangle



### Cut the Lumber to Size

**Caution:** Always wear gloves, a dust mask and eye protection when sawing, sanding or machining wood.

Using a circular or table saw on a clean, flat and level surface, cut the following ProWood® pressure-treated boards for the components of the Adirondack chair:

- Two (2) Stringers: 1" x 8" x 32-3/4"
- One (1) Front Apron: 1" x 8" x 21"
- Five (5) Seat Slats: 1" x 4" x 21"
- Two (2) Front Legs: 1" x 4" x 20-3/4"
- Two (2) Arm Supports: 1" x 3" x 24"
- Five (5) Back Slats: 1" x 4" x 30-1/2"
- One (1) Back Slats Top Support: 1" x 3" x 19-1/2"
- One (1) Back Slats Center Support: 2" x 2" x 22-1/2"
- One (1) Back Slats Bottom Support: 1" x 4" x 19-1/2"
- Two (2) Arm Rests: 1" x 4" x 25-1/2"
- Two (2) Front Arm Supports: 1" x 3" x 6"

### General Assembly Advice

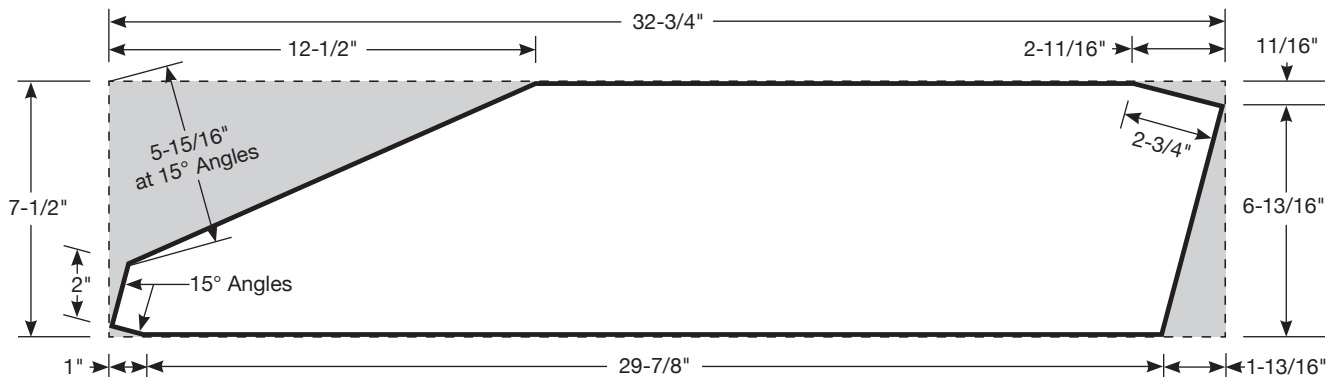
- Establish a screw pattern to enhance the overall look and feel of the final assembled product.
- TPredrill all screw holes to ease insertion into the material and to prevent wood from splitting.
- Countersink all screws so the head of a countersunk screw, when placed in the hole, will sit flush with or below the surface of the surrounding material.

### Cut the Stringers

From the 1" x 8" x 32-3/4" stringers noted in the cut list, cut the two pieces exactly as shown below.

**Tip:** Create a pattern and then copy that pattern for both of the stringer sides before cutting.

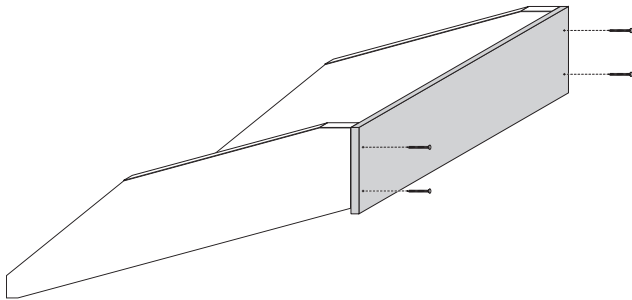
- Start by measuring and marking one stringer with a pencil.
- Double-check all measurements and angles before cutting so all cuts are precise and both stringers are cut the same.



## 1. Attach the Front Apron

Attach the front apron to the stringers using 2" #6 galvanized all-purpose screws and wood glue. *Refer to the illustration below.*

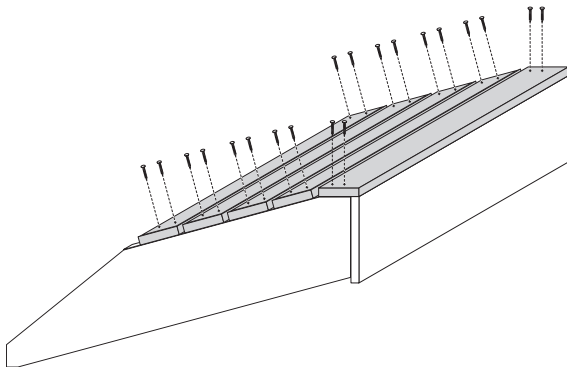
- Make sure the front apron is flush with the top and the sides of the stringers.
- The bottom of the front apron will be slightly longer than the bottom of the stringers.
- Apply wood glue to the front edge of each stringer.
- Screw through the face of the front apron into the front edge of each stringer.



## 2. Attach the Seat Slats

Attach the seat slats to the stringers using 1-1/4" #6 galvanized all-purpose screws and wood glue. *Refer to the illustration below.*

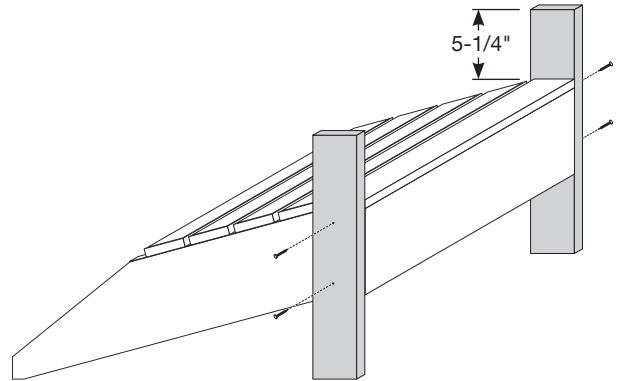
- Start with the first flat seat slat so it is flush with the stringers' outer sides and the face of the front apron.
- Apply wood glue to the top edge of the stringers and the front apron, directly below that first seat slat.
- Screw through the top of that seat slat.
- Following the first flat seat slat process, position, glue and attach the remaining four seat slats, one slat at a time.
- Leave a 1/2" equidistant gap between the slats.



## 3. Attach the Front Legs

Attach the two front legs to the stringers using 1-1/4" #6 galvanized all-purpose screws and wood glue. *Refer to the illustration below.*

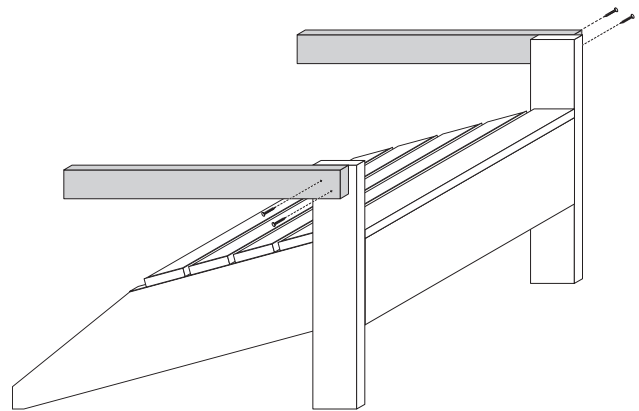
- Measure and mark 5-1/4" down from the top inside of the front legs. These marks indicate the height of the first seat slat.
- Apply wood glue to the stringer area and the side edge of the front apron where the front legs will attach.
- Make sure the front legs are flush with the front apron.
- Screw the front legs into the stringers.



## 4. Attach the Arm Supports

Attach the two arm supports to the front legs using 1-1/4" #6 galvanized all-purpose screws and wood glue. *Refer to the illustration below.*

- Measure and mark 3/4" in from the top outside of the front legs so each arm support will be inset 3/4" in from the outside.
- Apply wood glue to the front legs where the arm supports will be attached.
- Place a bubble level on top of each arm support to make sure they're level.
- Screw the arm supports into the front legs.



## Build the Back

Attach the top, center and bottom supports to the back slats using 1-1/4" and 2" #6 galvanized all-purpose screws and wood glue. *Refer to the illustration below.*

- Using a flat surface, place the 5 back slats tightly next to each other with the "good side" facing the surface.
- Make sure top and bottom edges are all flush with each other.
- Measure and mark 1-1/2" down from the top of the back slats.
- Measure and mark 12-3/4" up from the bottom of the slats.
- Using a carpenter's square to make sure that the tops and bottoms of the slats are flush, separate the back slats with equidistant 1/2" gaps.

### Attach the Bottom Back Support

- Starting with the two outside back slats, attach the bottom back support to those slats using 1-1/4" #6 galvanized all-purpose screws and wood glue. Make sure the bottom of the support is flush with the bottom and the sides of the slats.

### Attach the Top Back Support

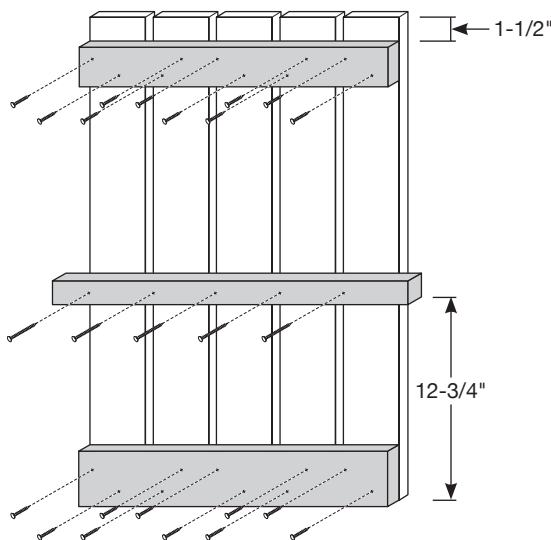
- Next, position the top back support so that its top edge is aligned with the 1-1/2" mark.
- Starting with the two outside back slats, attach the top back support to those slats using 1-1/4" #6 galvanized all-purpose screws and wood glue. Make sure the outside of the support is flush with the sides of the slats.

### Attach the Center Back Support

- Now position the center back support so that its bottom edge is aligned with the 12-3/4" mark.
- Starting with the two outside back slats, attach the center back support to those slats using 2" #6 galvanized all-purpose screws and wood glue. Make sure the outside of the support is flush with the sides of the slats.
- Use a carpenter's square to make sure the back slats and supports are all flush and square.

### Attach the Back Supports to the Remaining Back Slats

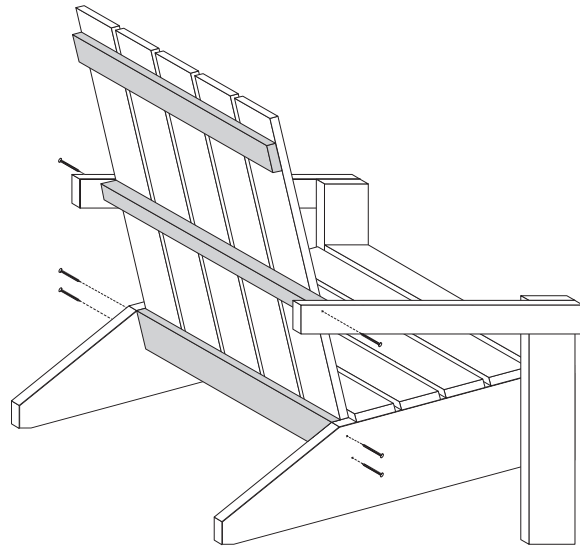
- Finish attaching the top, center and bottom back supports to each of the other back slats, making sure to separate the slats with equidistant 1/2" gaps.



## Attach the Back

Attach the back to the stringers and horizontal arm supports using 2" #6 galvanized all-purpose screws and wood glue. *Refer to the illustration below.*

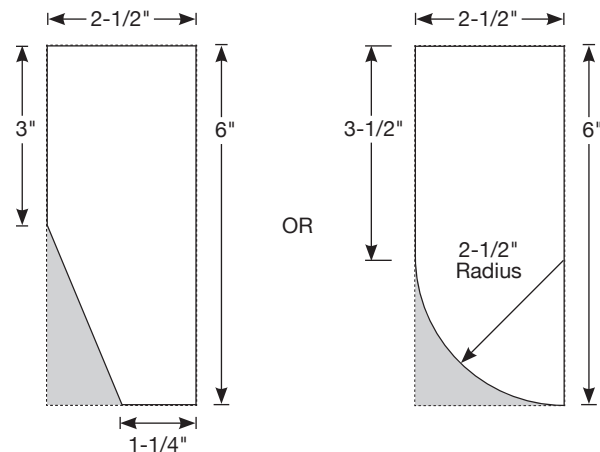
- Position the back of the chair so it is flush with the back of the seat slats and the top edge of the bottom back support is flush with the top edge of the stringers.
- Screw the stringers to the bottom back support.
- Align the top edge of the center back support with the inside top edge of each horizontal arm support. Make sure the horizontal arm supports remain level.
- Screw and attach the arm supports to the center back support.



## Custom Cut the Front Arm Supports

To add a bit of character to the chair, custom cut the front arm supports. *Refer to the illustrations below.*

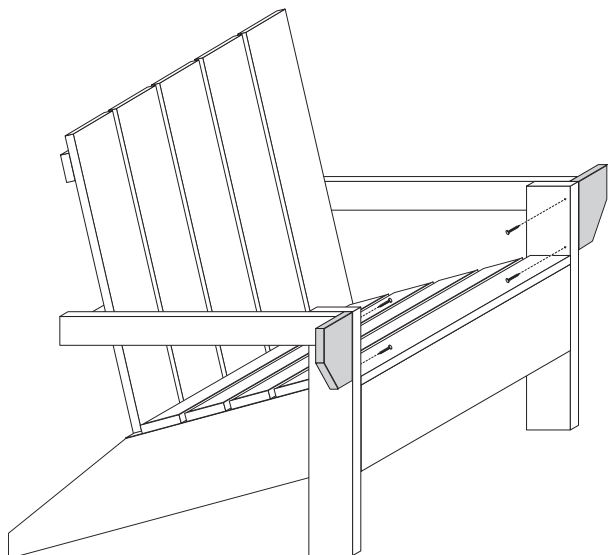
- Using a 1" x 3" x 6" wood piece, measure, mark and cut the face of a front arm support at an angle or an inward arc.
- Mirror that same pattern and repeat the process for the other front arm support.



## Attach the Front Arm Supports

Attach the custom-cut front arm supports with 1-1/4" #6 galvanized all-purpose screws and wood glue. *Refer to the illustration below.*

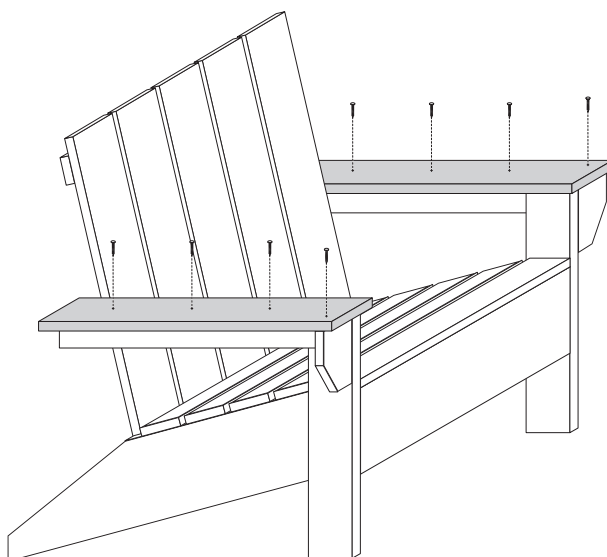
- Apply wood glue to the surfaces where the custom front arm supports will be attached.
- Screw and attach each front arm support from the inside of the front legs.



## Attach the Arm Rests

Attach the arm rests to the horizontal arm supports with 1-1/4" #6 galvanized all-purpose screws and wood glue. *Refer to the illustration below.*

- On the underside of each arm rest, measure and mark 3/8" in from its back end.
- Align that mark with the back end of the horizontal arm supports.
- Make sure the inside edge of each arm rest is flush against the outside edge of the back slats and the inside edge of the front legs.
- Apply wood glue to the surfaces where the arm rests will be attached.
- Screw and attach the arm rests to the horizontal and front arm supports.



This brochure is for illustration purposes only. Use of this product must be in accordance with all local zoning and/or building codes. Consumer assumes all risks and liability associated with the use of this product. For details on safe handling, go to [UFPI.com/ptinfo](http://UFPI.com/ptinfo). Warrantor does not provide any warranty, either express or implied, and shall not be liable for any damages, including consequential damages. 7094 07/13

