

# 15-MINUTE FLOWER STAND

---

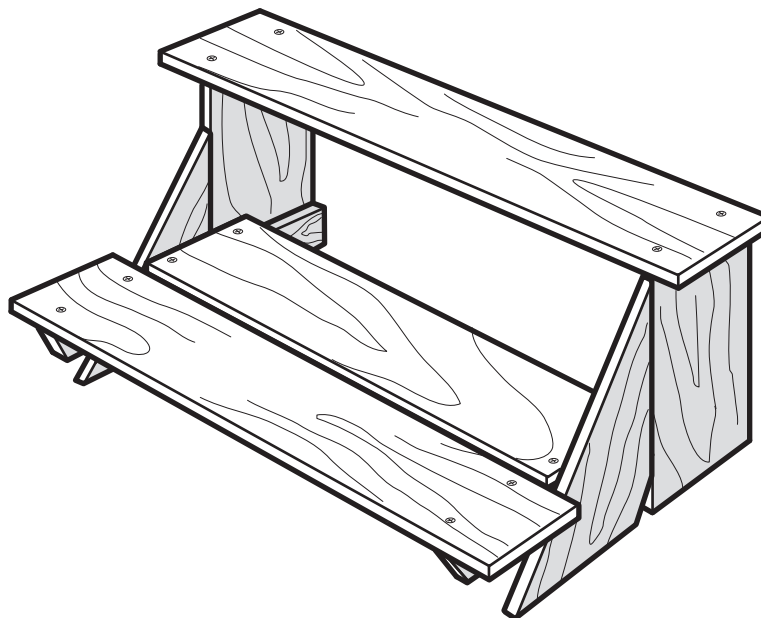
With ProWood® Professional Grade pressure-treated lumber, quickly build a stand for your potted plants. This flower stand is so easy to build, you'll probably want to make more than one.

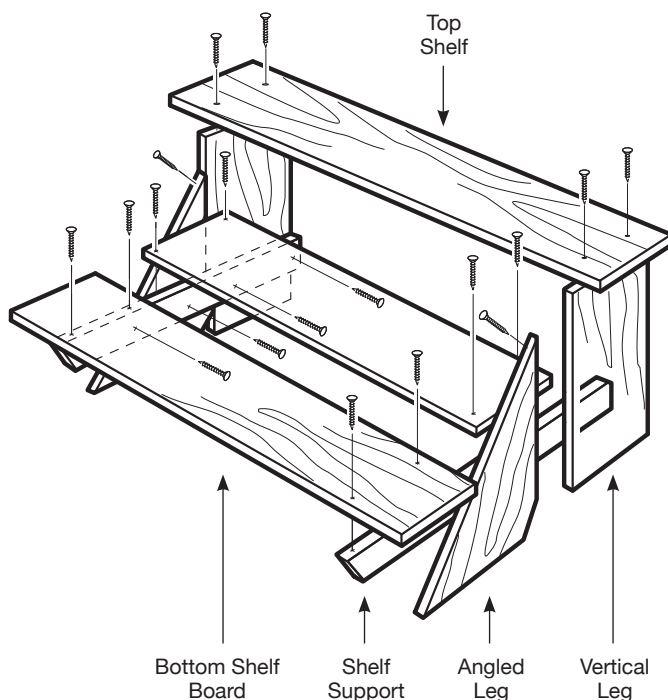
## Materials

- Two 5/4" x 6" x 8' ProWood® Pressure-Treated Boards
- One 2" x 4" x 8' ProWood® Pressure-Treated Board
- One Box 2" #6 Galvanized All-Purpose Screws

## Basic Tools

- Fine-Toothed Saw or Circular Power Saw
- Tape Measure
- Screwdriver





### Cut the Lumber to Size

**Caution:** Always wear gloves, a dust mask and eye protection when sawing, sanding or machining wood.

Using a fine-toothed wood saw or a circular saw, cut the boards for the flower stand.

- Start by cutting one 5/4" x 6" x 8' ProWood® pressure-treated board into two 38" long pieces for the top shelf and two 15" long pieces for the angled legs.
- Next, cut the other 5/4" x 6" x 8' ProWood® pressure-treated board into one 30" long piece to make the bottom shelf and two 14" long pieces for the vertical legs.
- Cut the 2" x 4" x 8' ProWood® pressure-treated board into two 16" long pieces for the bottom shelf supports.

### Cut the Angled Legs

- Take one 15" long board, measure up 3" along one side, and make a mark.
- Measure up 5" on that same side and make another mark.
- Draw a line connecting the mark at 3" to the bottom corner on the side opposite the mark. You should now have an angled line just above the bottom edge of the board.
- Refer to the illustration on the right.
- Next, draw a line from the mark at 5" to the opposite side's top corner (the farthest corner from the 5" mark). The lines should now form two edges of a 11-1/4" x 6-1/4" x 15" triangle.
- Cut along the two marked lines to make an angled leg support.
- Repeat this with the other 5/4" x 6" x 15" board to make the other angled leg.

### Build the Leg Assembly

- Stand one 14" long vertical leg piece on a flat surface.
- Next, place an angled leg piece next to the vertical leg so that the 11-1/4" long side of the angled leg meets the side of the 14" long vertical leg. Use a board to make sure that the bottoms of the two legs are even and that the angled leg will meet the ground with the edge of its 6-1/4" side.
- Attach these two leg pieces by driving a #6 galvanized all-purpose screw through the angled leg into the vertical leg from the 15" edge of the angled leg. Pre-drilling the holes will help prevent splitting.
- Refer to the illustration on the left.
- Repeat this process to build the other leg assembly.

### Add the Shelf Support

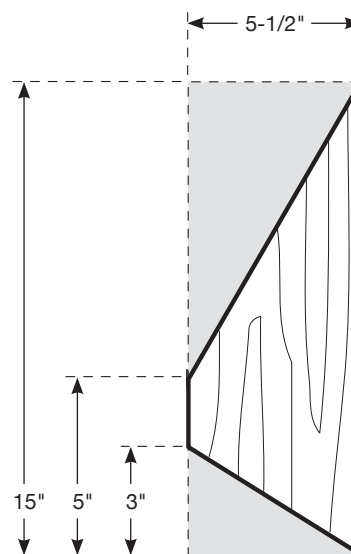
- Lay both leg assemblies on their sides.
- Measure up 5" from the bottom edge and draw a line parallel to the bottom edge on both leg assemblies. Place the 2" x 4" x 14" bottom shelf support pieces so that the top edge is flush with the line.
- Attach it with screws to the leg assemblies.

### Add the Bottom Shelf

- Set the 38" bottom shelf board on top of the bottom shelf support on one leg assembly and attach it using screws.
- Repeat this process on the other leg assembly.
- Place the 30" bottom shelf board behind the first and also attach it to the bottom shelf support boards.

### Make the Top Shelf

- Measure in 4" from each end of the top shelf and mark a line parallel to the end.
- Set the top shelf on top of both leg assemblies, using the marks to align it. Keep the front of the top shelf flush with the front of the leg assemblies and attach with screws.



**Safe Handling** - Pressure treated with micronized copper azole. Never burn treated wood. Always wear a dust mask and goggles when cutting or sanding treated wood. Always wear gloves when working with treated wood. For detailed safe handling instructions go to [ProWoodLumber.com/safehandling](http://ProWoodLumber.com/safehandling). 7094 11/12